

Modular Cooking Range Line EVO700 Half Module Gas PowerGrill Top

ITEM # _____

MODEL # _____

NAME # _____

SIS # _____

AIA # _____



372042 (Z7GRGDGC0P) Gas grill top, half module - hp

Short Form Specification

Item No. _____

To be installed on open base installations, bridging supports or cantilever systems. High efficiency 7 kW stainless steel gas burners with flame failure device, optimized combustion and protected pilot light. Suitable for natural gas or LPG. Cooking surface grids in cast iron, easily removable for cleaning. Cast iron grids can be rotated for the grilling of fish or meats. Exterior panels in stainless steel with Scotch Brite finish. One piece pressed work top in 1.5 mm thick stainless steel. Right-angled side edges to allow flush-fitting junction between units.

APPROVAL: _____

Main Features

- Unit to be mounted on open base cupboards, bridging supports or cantilever systems.
- Stainless steel burners with flame failure device, optimized combustion and protected pilot light.
- AISI 441 stainless steel deflective shields located below the radiants prevent burners from clogging, minimize flare ups and ensure even heat distribution (PATENT PENDING).
- Dishwasher-safe radiants removable without the use of tools to facilitate cleaning.
- Extractable full-depth grease collection drawer to accumulate excess grease and oil.
- Stainless steel high splash guards on the rear and sides of cooking surface. Splash guards can be easily removed for cleaning and are dishwasher-safe.
- IPX4 water resistance certification.
- Cooking grids made in highly resistant enameled cast iron for easy cleaning.

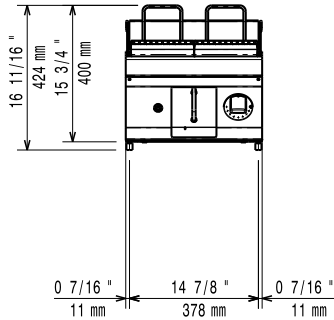
Construction

- All exterior panels in Stainless Steel with Scotch Brite finishing.
- One piece pressed 1.5 mm work top in Stainless steel.
- Model has right-angled side edges to allow flush fitting joints between units, eliminating gaps and possible dirt traps.

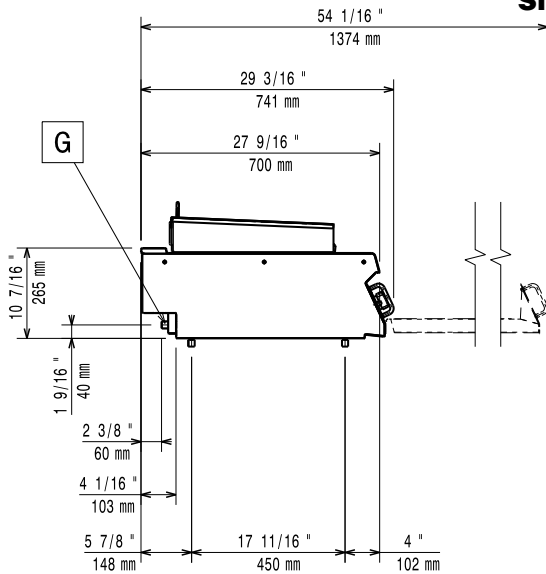
Optional Accessories

- Junction sealing kit PNC 206086
- Support for bridge type installation, 800 mm PNC 206137
- Support for bridge type installation, 1000 mm PNC 206138
- Support for bridge type installation, 1200 mm PNC 206139
- Support for bridge type installation, 1400 mm PNC 206140
- Support for bridge type installation, 1600 mm PNC 206141
- Support for bridge type installation, 400 mm PNC 206154
- Frontal handrail 400 mm PNC 206166
- Frontal handrail 800 mm PNC 206167
- Large handrail (portioning shelf) 400 mm PNC 206185
- Large handrail (portioning shelf) 800 mm PNC 206186
- Frontal handrail 1200 mm PNC 206191
- Frontal handrail 1600 mm PNC 206192
- Right and left side handrails PNC 206240
- 2 side covering panels, height 250 mm, depth 700 mm PNC 206320
- Scraper kit with hooks for HP grills (EVO700/900) PNC 206347

Front

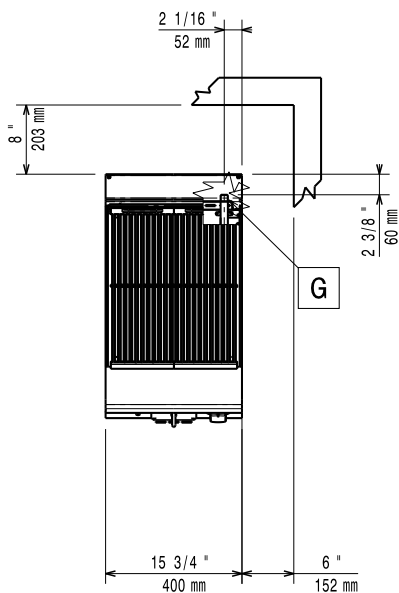


Side



EQ = Equipotential screw
G = Gas connection

Top



Gas

Gas Power:	
372042 (Z7GRGDGC0P)	7 kW
Standard gas delivery:	Natural Gas G20 (20mbar)
Gas Type Option:	
Gas Inlet:	1/2"

Key Information:

Cooking surface width:	371 mm
Cooking surface depth:	472 mm
Net weight:	32 kg
Shipping weight:	42 kg
Shipping height:	540 mm
Shipping width:	460 mm
Shipping depth:	820 mm
Shipping volume:	0.2 m ³

If appliance is set up or next to or against temperature sensitive furniture or similar, a safety gap of approximately 150 mm should be maintained or some form of heat insulation fitted.